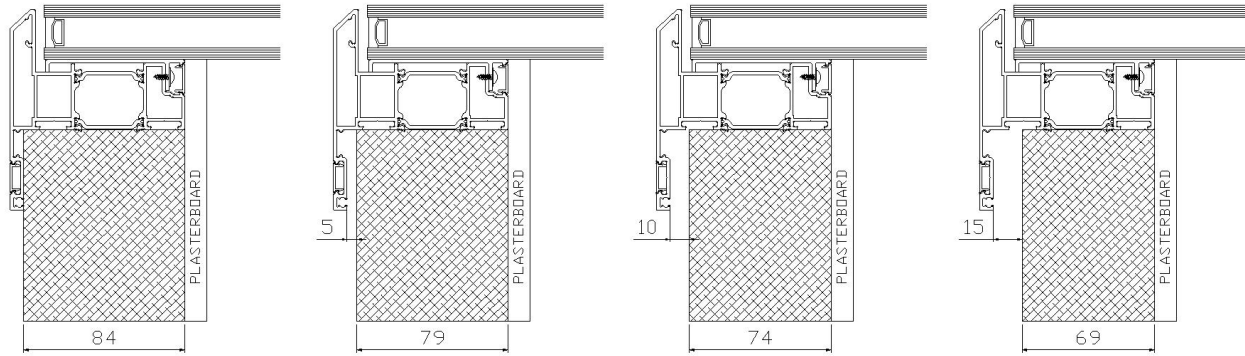


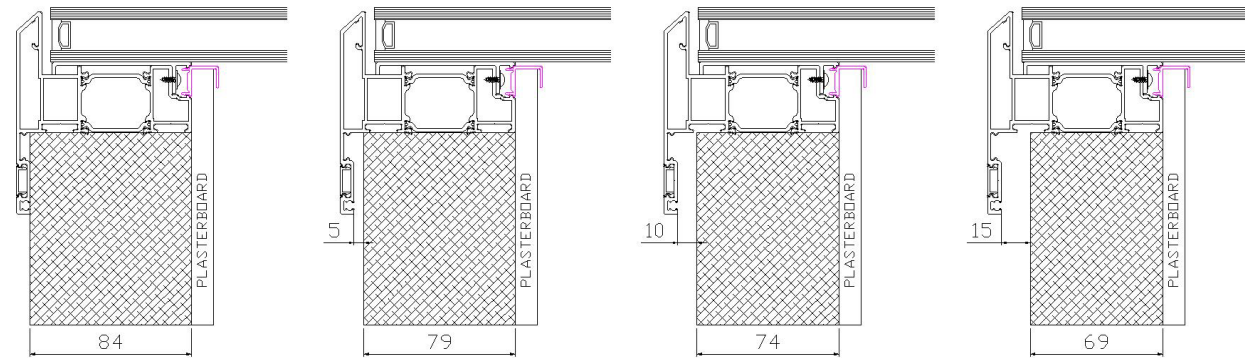
# Measuring Guide

## Flat Aluminium Roof

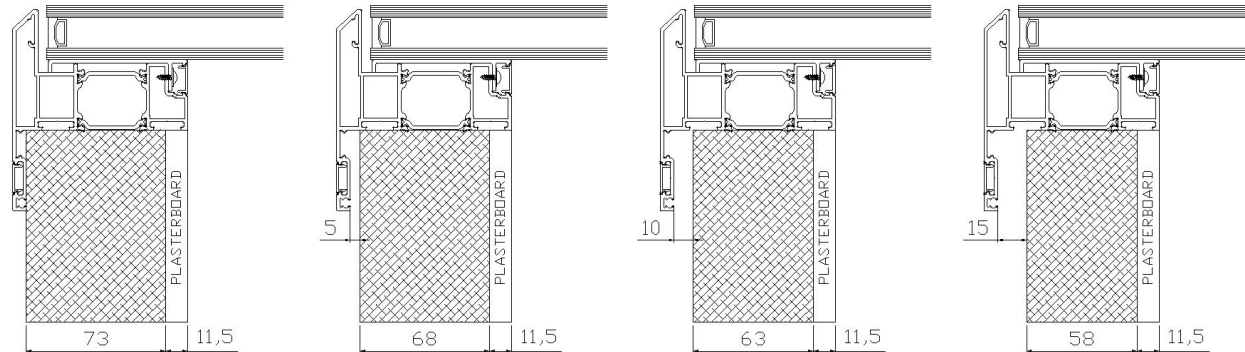
### Option A



### Option B



### Option C



### When Measuring for the Flat Roof Light there are two deciding factors:

1. Is where you want the plasterboard to finish?
2. Is the allowance you want to make around the external of the kerb?

Option A Shows the plasterboard going up to the glass from the internal face of the kerb.

Option B Shows the plasterboard going into the new plasterboard clip section.

Option C Shows the plasterboard finishing flush with the inside edge of the roof light.

As you can see you will need to specify a timber thickness depending on the option you want.

All of the drawings show an allowance of 11.5mm for plasterboard (9.5 mm plasterboard and 2mm plaster) you will need to adjust this if you are using 12.5 mm plasterboard.

Option A & B will restrict access to the fixing of the PVC so if you need to change the unit at a later date.

**Note:** The sizes that you enter into FDS software are always the tight external kerb dimension and then select the allowance you want to make around the outside.